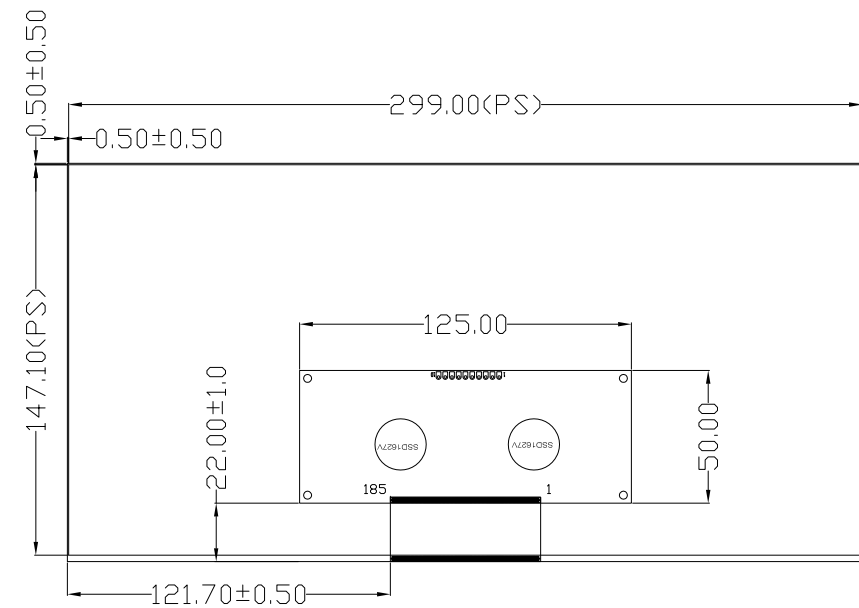
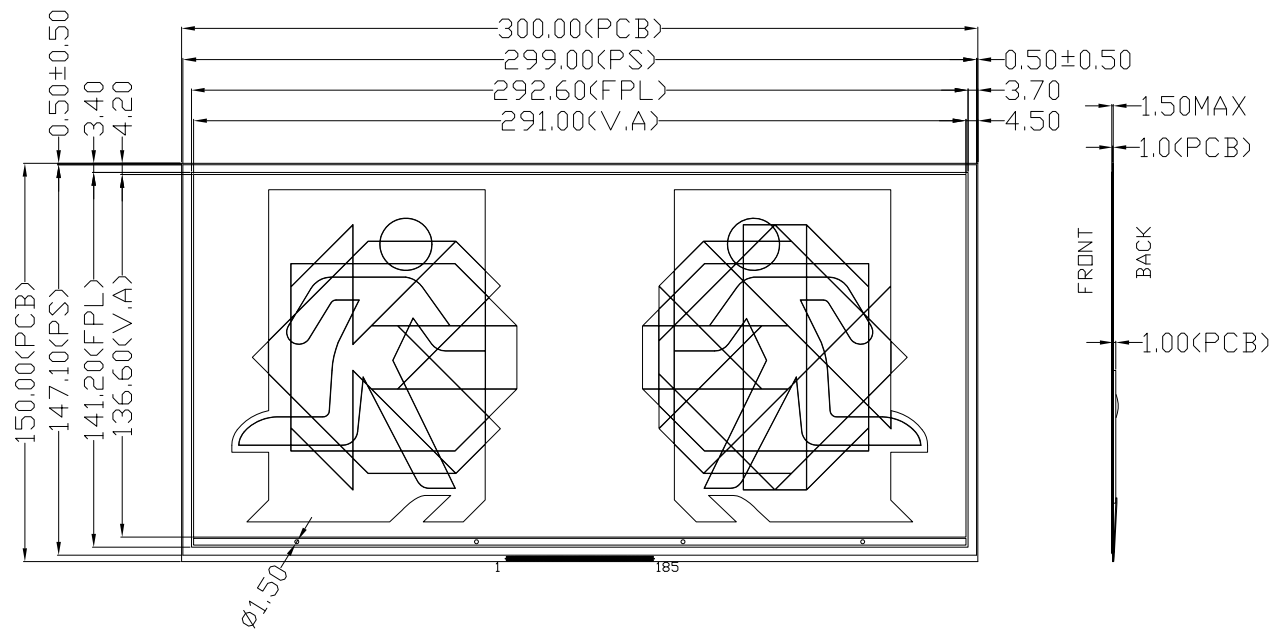


Confirmation:

DATE	REV.	MODIFICATION
2019-4-17	A	FIRST ISSUE



PIN	SIGNAL
1	GND
2	VCC
3	BUSY
4	CE#
5	SCLK
6	SI
7	SD
8	RES#
9	VCTRL
10	EN

NOTE

- 1 INTERFACE :SPI
- 2 EPD DRIVER VOLTAGE:3V
- 3 OPERATING TEMP: 0°C TO 50°C
STORAGE TEMP: -20°C TO 70°C



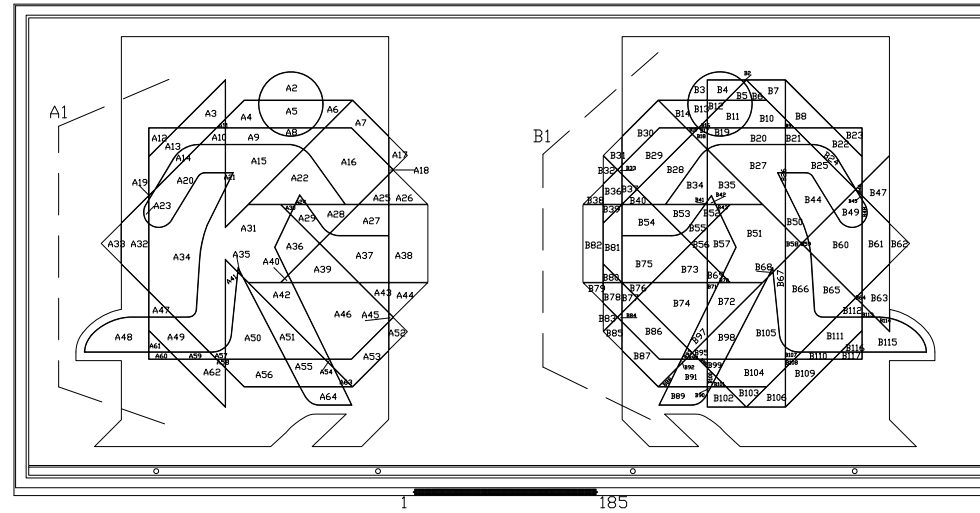
DKE 东方科脉

<http://www.china-epaper.com/>

TOLERANCES UNMARKED ANGLES±1° .X=±0.4mm .XX=±0.20mm .XXX=±0.15mm	TITLE: EPD	PROJECT: DEP0212B	REV.: A	DATE: 19.04.17	CUST. P/N:
	DWN. PP SUN	CHK. XZ FAN	APPR. SY ZHAO	UNIT: mm	3RD ANGLE: 1/2

Confirmation:

DATE	REV.	MODIFICATION
2019-04-17	A	FIRST ISSUE



PIN	1	2	3	4	5	6	7	8	9	10	11	12	13	14	15	16	17	18	19	20	21	22	23	24	25	26	27	28	29	30	31	32	33	34	35	36	37
ICI	CDMB	S0	S1	S2	S3	S4	S5	S6	S7	S8	S9	S10	S11	S12	S13	S14	S15	S16	S17	S18	S19	S20	S21	S22	S23	S24	S25	S26	S27	S28	S29	S30	S31	S32	S33	S34	S35
SIGNAL	CDM	BG	A1	A33	A32	A48	A19	A23	A13	A20	A47	A61	A60	A49	A34	A5	A9	A21	A8	A15	A59	A62	A57	A58	A41	A31	A35	A50	A56	A22	A30	A24	A16	A29	A36	A40	A42

PIN	38	39	40	41	42	43	44	45	46	47	48	49	50	51	52	53	54	55	56	57	58	59	60	61	62	63	64	65	66	67	68	69	70	71	72	73	74
ICI	S36	S37	S38	S42	S43	S44	S45	S46	S47	S48	S49	S50	S51	S52	S53	S54	S55	S74	S75	S76	S77	S78	S79	S80	S81	S82	S83	S84	S85	S86	S87	S88	S89	S94	S95	S96	S97
SIGNAL	A51	A55	A64	A39	A28	A7	A54	A46	A37	A63	A53	A27	A25	A17	A18	A26	A38	A43	A45	A52	A44	A6	A2	A4	A11	A10	A3	A14	A12	B1	B8	B7	B2	B3	B6	B5	B4

PIN	75	76	77	78	79	80	81	82	83	84	85	86	87	88	89	90	91	92	93
ICI	S98	S99	S100	S101	S102	S103	S104	S105	S106	S107	S108	S109	S110	S111	S112	S113	S114	S115	S116
SIGNAL	B11	B12	B13	B14	B10	B9	B21	B20	B16	B17	B15	B18	B19	B27	B30	B31	B32	B33	B38

PIN	94	95	96	97	98	99	100	101	102	103	104	105	106	107	108	109	110	111	112	113	114	115	116	117	118	119	120	121	122	123	124	125	126	127	128	129	130
ICI	S1	S2	S3	S4	S5	S6	S7	S8	S9	S10	S11	S12	S13	S14	S15	S16	S17	S18	S19	S20	S21	S22	S23	S24	S25	S26	S27	S28	S29	S30	S31	S32	S33	S34	S35	S36	S37
SIGNAL	B36	B37	B29	B39	B82	B79	B81	B80	B78	B83	B85	B84	B87	B77	B76	B75	B54	B40	B28	B34	B53	B55	B86	B88	B89	B73	B56	B74	B92	B93	B91	B94	B71	B97	B95	B96	B90

PIN	131	132	133	134	135	136	137	138	139	140	141	142	143	144	145	146	147	148	149	150	151	152	153	154	155	156	157	158	159	160	161	162	163	164	165	166	167
ICI	S38	S42	S43	S44	S45	S46	S47	S48	S49	S50	S51	S52	S53	S54	S55	S74	S75	S76	S77	S78	S79	S80	S81	S82	S83	S84	S85	S86	S87	S88	S89	S94	S95	S96	S97	S98	S99
SIGNAL	B100	B101	B99	B102	B98	B72	B70	B69	B57	B52	B41	B103	B104	B105	B51	B42	B43	B35	B68	B26	B58	B67	B106	B108	B107	B109	B66	B50	B44	B59	B25	B24	B22	B23	B110	B65	B60

PIN	168	169	170	171	172	173	174	175	176	177	178	179	180	181	182	183	184	185
IC3	S100	S101	S102	S103	S104	S105	S106	S107	S108	S109	S110	S111	S112	S113	S114	S115	S0	CDMA
SIGNAL	B46	B45	B47	B48	B49	B111	B117	B116	B112	B64	B113	B63	B61	B62	B115	B114	BG	CDM



DKE 东方科脉

<http://www.china-epaper.com/>

TOLERANCES UNMARKED ANGLES±1° .X=±0.4mm .XX=±0.20mm .XXX=±0.15mm	TITLE: EPD	PROJECT: DEP0212B		REV.: A	DATE: 19.04.17	CUST. P/N:
	DWN. PP SUN	CHK. XZ FAN	APPR. SY ZHAO	UNIT: mm	3RD ANGLE: 	PAGE: 2/2