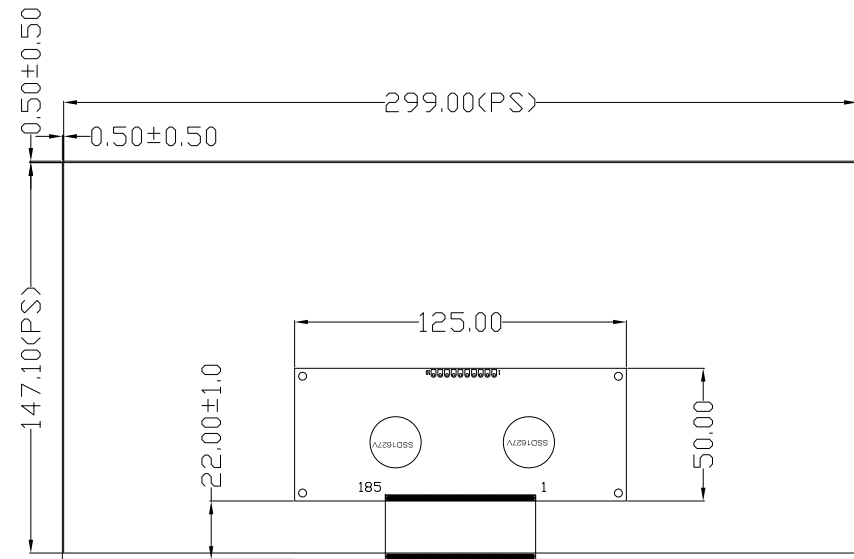
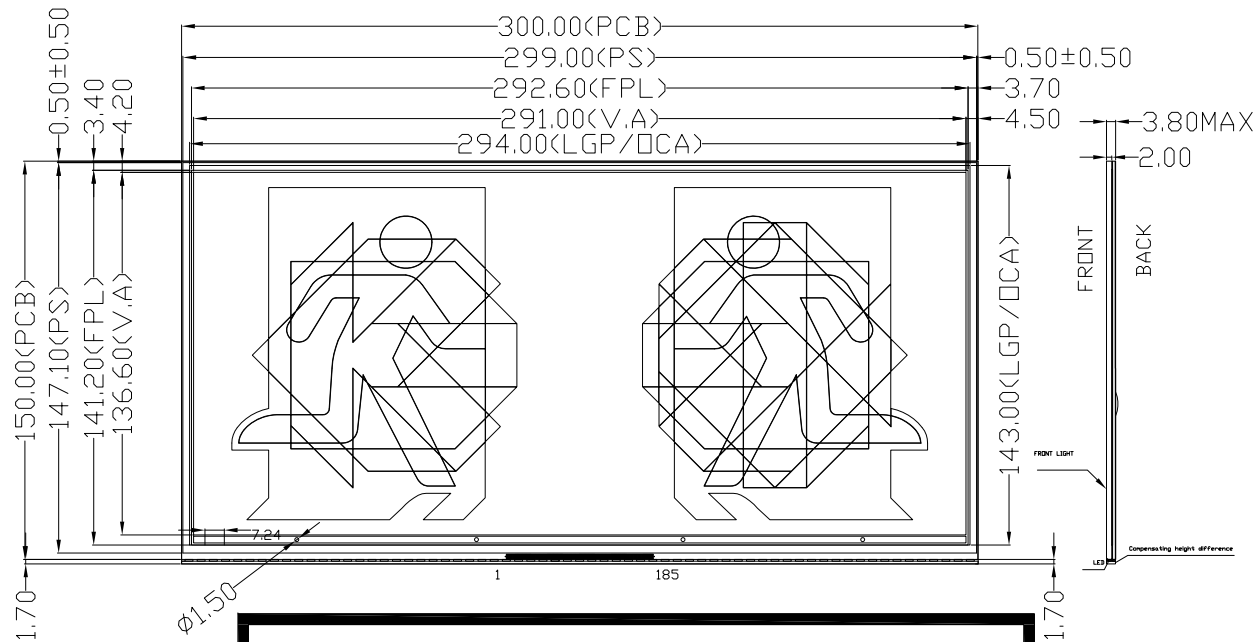
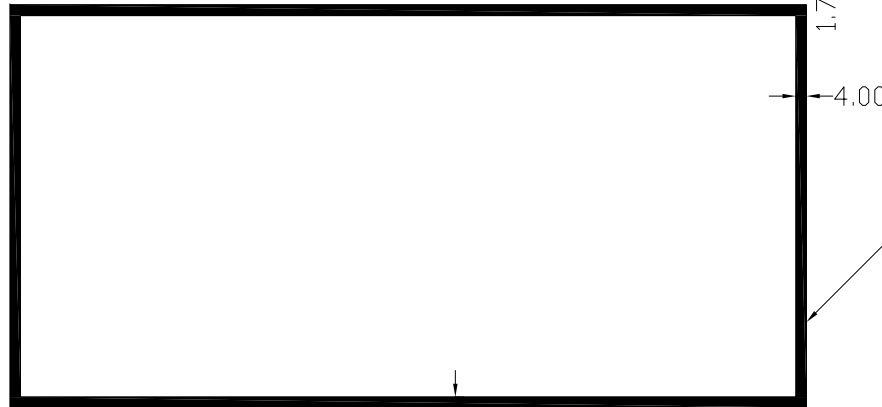


Confirmation:

DATE	REV.	MODIFICATION
2019-5-16	A	FIRST ISSUE
2019-10-21	B	CHANGE THE DIMENSION



PIN	SIGNAL
1	GND
2	VCC
3	BUSY
4	CE#
5	SCLK
6	SI
7	SD
8	RES#
9	VCTRL
10	EN



Near the front is Shading tape

NOTE

- 1 INTERFACE :SPI
- 2 DRIVER VOLTAGE:3V
- 3 OPERATING TEMP: 0°C TO 50°C
STORAGE TEMP: -20°C TO 70°C
- 4.IC:SSD1627



<http://www.china-epaper.com/>

TOLERANCES UNMARKED ANGLES±1° .X=±0.4mm .XX=±0.20mm .XXX=±0.15mm	TITLE: EPD	PROJECT: DEP0212D	REV.: B	DATE: 19.10.21	CUST. P/N:
	DWN.	CHK.	APPR.	UNIT:	3RD ANGLE:
	PP SUN	XZ FAN	SY ZHAO	mm	1